

# Flush mount for Sentido

## Installation Manual

### Flush mount for Sentido Model No. 092-01 (keypad not included)

#### Description

The flush mount for Sentido (092-01) is an adapter for in-wall flush installation of a Sentido keypad. Enzo finishes are not compatible.

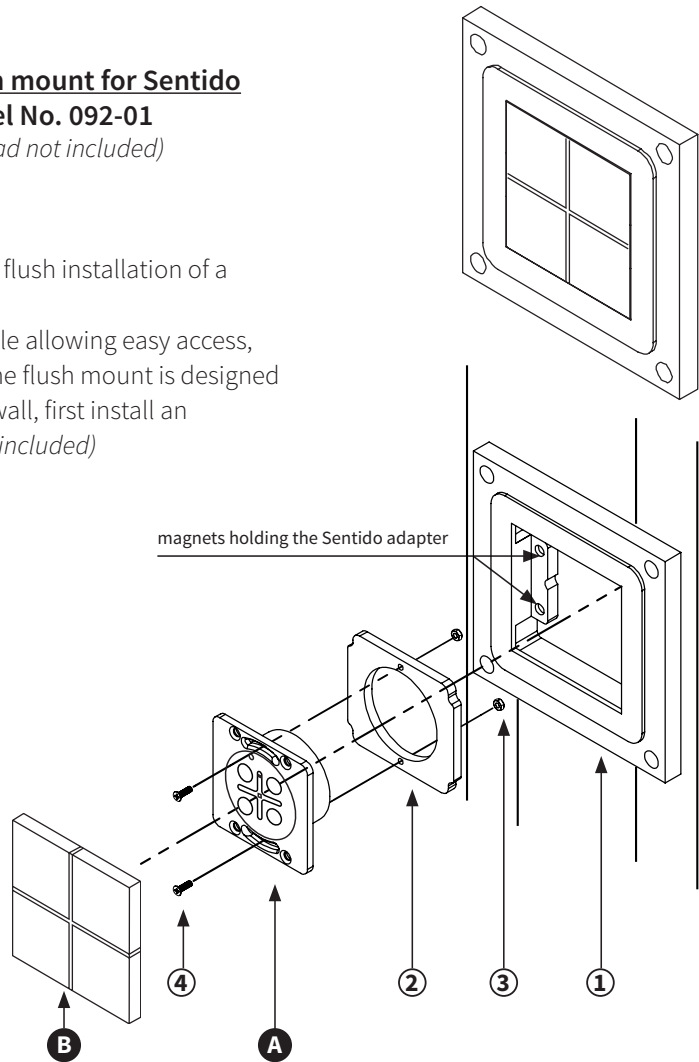
The flush mount for Sentido securely mounts the keypad while allowing easy access, insertion and exertion. The adapter is supplied unpainted. The flush mount is designed to be installed in a drywall. For installation in concrete/brickwall, first install an appropriate box for flush mount in concrete wall. (092-11 not included)

#### Parts list

1. Wall adapter
2. Sentido adapter
3. (2x) M2 nut
4. (2x) M3 screw

#### Compatible products

- B. Sentido cover (201-xx or 202-xx) not included
- A. Sentido (200-xx) not included

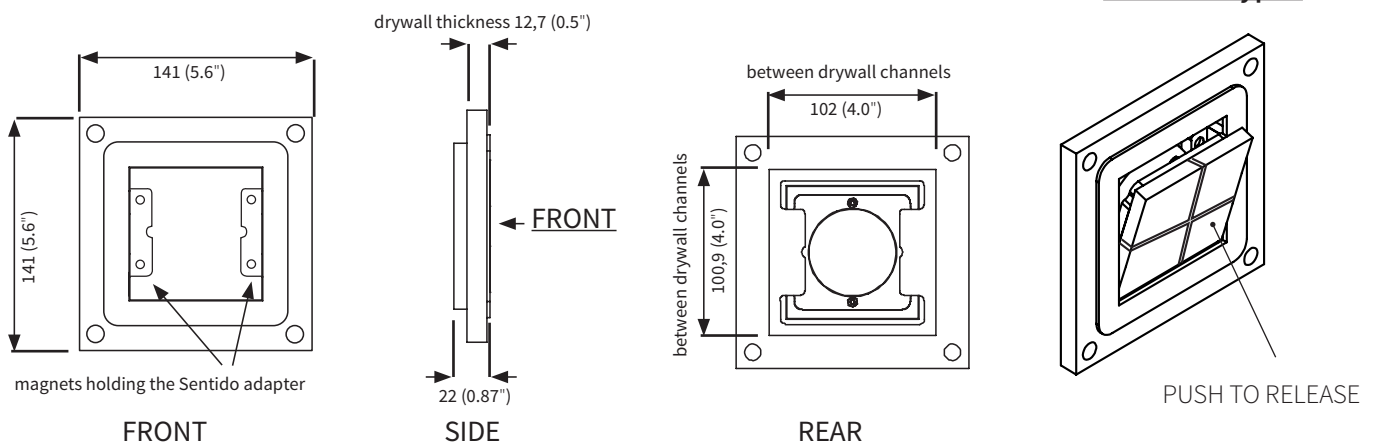


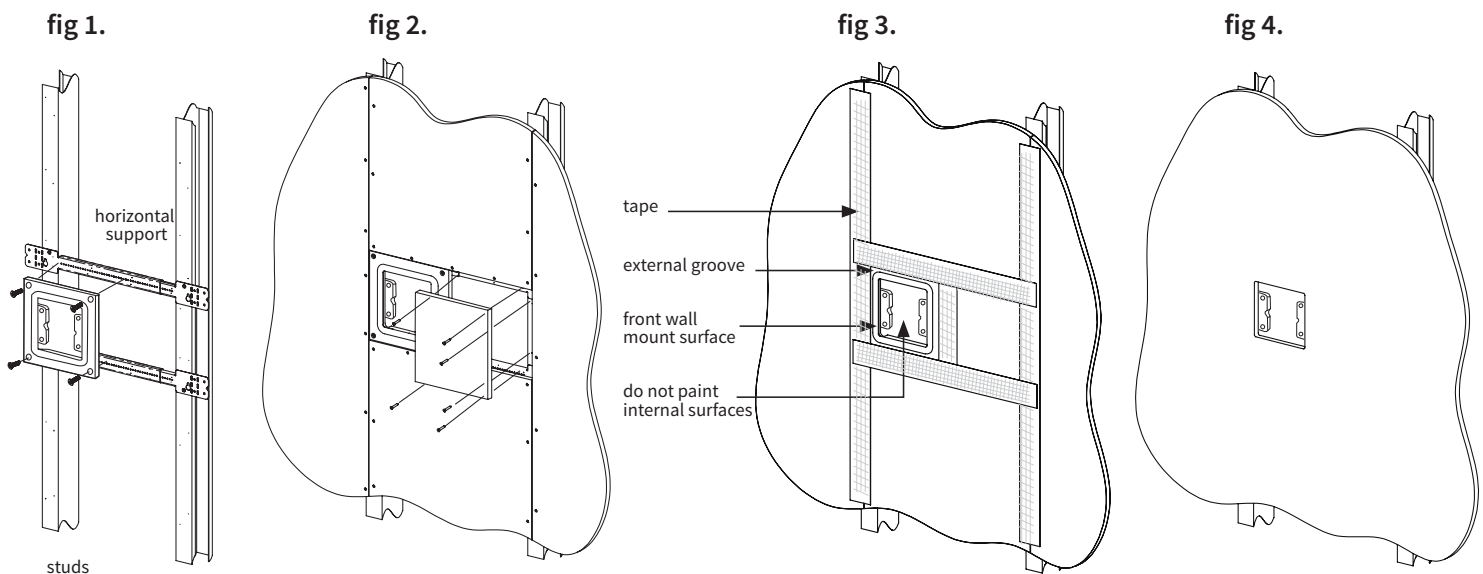
#### Safety instructions

- Turn off the power in areas where you will be drilling to avoid electric shock.
- Treatments such as sanding, drilling, painting, etc. may generate hazardous dust and/or fumes. Work in well ventilated areas. Use suitable personal protective equipment (dust mask, goggles) as necessary.

#### Key properties

- Dimensions (W/H/D) : 141mm (5.6")/141mm (5.6")/22mm
- Weight: 0.19kg (0.42lbs.)





### **Step 1 – Cut and place (fig 1. & 2.)**

- Determine where the flush mount will be located.
  - Flush mount needs to fit between two studs.
  - Route adequate cabling to the installation point (in accordance with your local electric regulations).
  - Flush mount needs to fit between two studs and be installed on two horizontal supports secured to the studs.
  - Fix the wall adapter through the holes located on its perimeter using #6 bugle head screws (not included). Make sure to position the wall adapter as shown on figure 1.
- Good practice: apply construction adhesive between wall mount and supports.
- Cut appropriate drywall pieces and plug voids on the mount sides.
  - Secure all drywall edges to the studs and the horizontal supports.

### **Step 2 – Mud and tape (fig 3.)**

- Ensure that the front surface of the mount is aligned with the drywall and that all of the screws are flush with the surface of the drywall.
- Before applying tape, fill gaps with setting-type compound.
- Perform standard mud and tape drywall joining procedure.
- Do not apply drywall compound to front surface. Apply drywall compound to external groove only.
- Sand excess drywall compound to reveille front wall mount surface.

### **Step 3 – Painting (fig 4.)**

- Do not paint internal surfaces!
- Paint and painting procedure are in the same manner as drywall painting.
- Paint the number of coats necessary to achieve the desired coverage and texture.
- Good practice: in case of any finish imperfections found around the installed wall mount (after paint), you may apply some acrylic wall putty afterwards, gently sand and paint again.