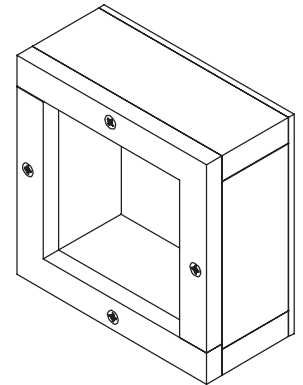


Box for flush mount Sentido/Deseo

Installation Manual

basalte

Box for flush mount Sentido/Deseo in concrete wall Model No. 092-11



Description

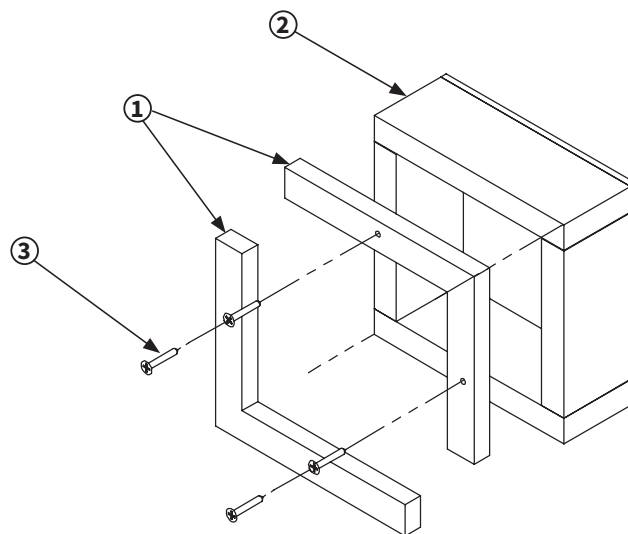
The box is designed to support flush wall mounts for Sentido/Deseo in concrete or brick walls.

The wall should be plastered up to the front frame segments (1). After plastering, these segments (1) need to be removed and replaced with the final flush mount.

The box 092-11 is compatible with both the flush mount for Sentido (092-01 not included) and the flush mount for Deseo (092-02 not included).

Parts list

1. front frame segments
2. box
3. (4x) M3 screw



Safety instructions

- Turn off the power in areas where you will be drilling to avoid electric shock.
- Treatments such as sanding, drilling, painting, etc. may generate hazardous dust and/or fumes. Work in well ventilated areas. Use suitable personal protective equipment (dust mask, goggles) when necessary.

Key properties

- Dimensions (W/H/D) : 142mm (5.59")/142mm (5.59")/55,6mm (2.58")
- Weight: 0.4kg (0.88lbs.)

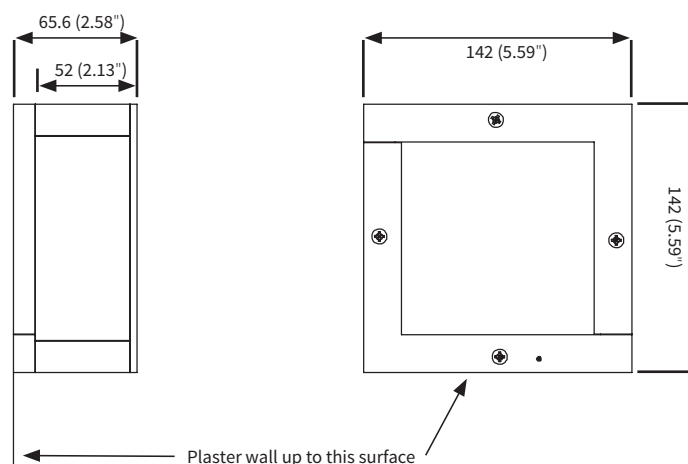


fig 1.

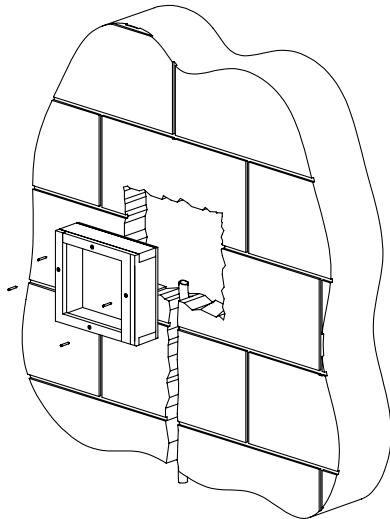


fig 2.

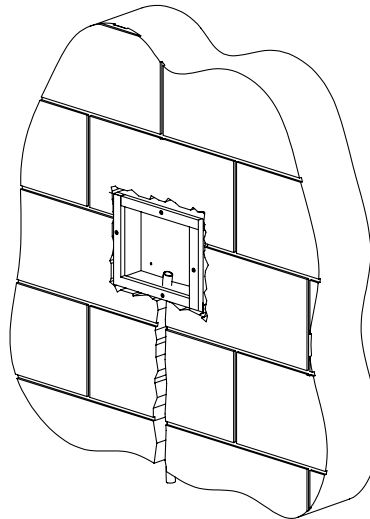


fig 3.

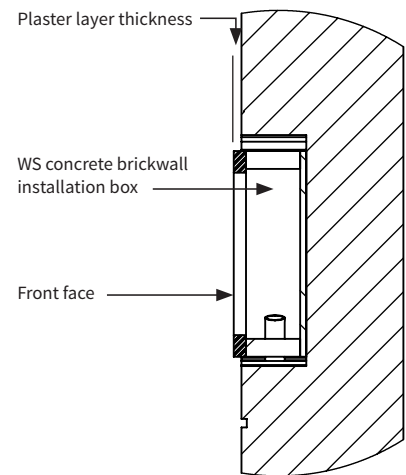


fig 4.

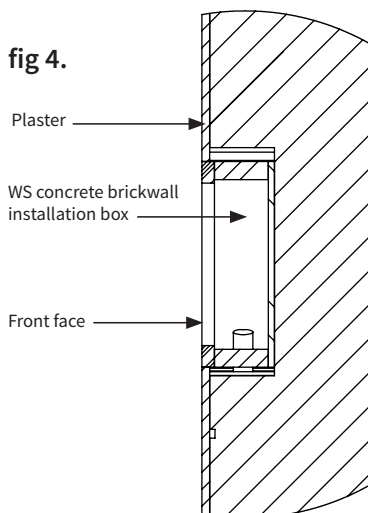


fig 5.

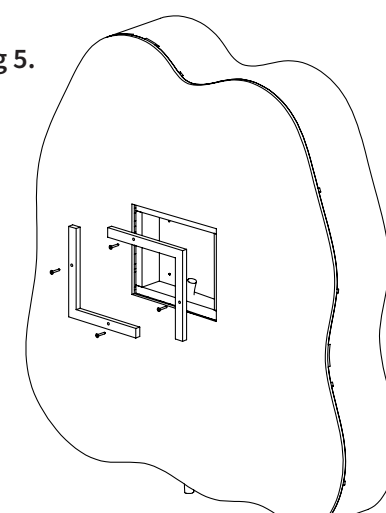
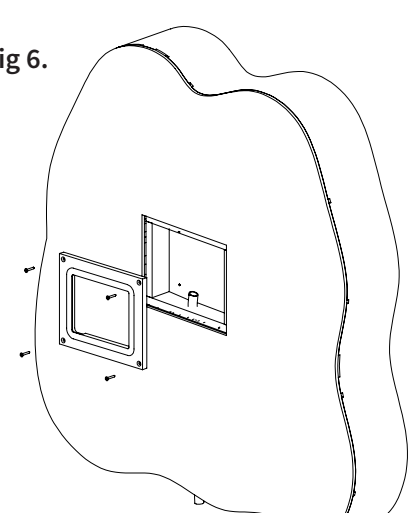


fig 6.



Step 1 – Box mounting (fig. 1 - 3)

- Determine where the flush mount will be located.
- Create a cavity in the concrete or brick wall.
- Route adequate cabling to the installation point (in accordance with your local electrical regulations).
- Mount the box inside the cavity in such way that the front side protrudes taken into account additional plastering (fig. 3).

Step 2 – Wall plastering (fig. 4 - 5)

- Plaster the wall. Level the plaster with the front frame of the flush mount box.
- After plastering, detach front frame segments.

Step 3 – Install flush mount (not included) (fig. 6)

- Fit the flush mount into the opening ensuring it is positioned square.
- Fix flush mount through the holes located on its perimeter using #6 bugle head screws.
- Proceed flush wall mount installation according the relevant flush mount installation instruction.